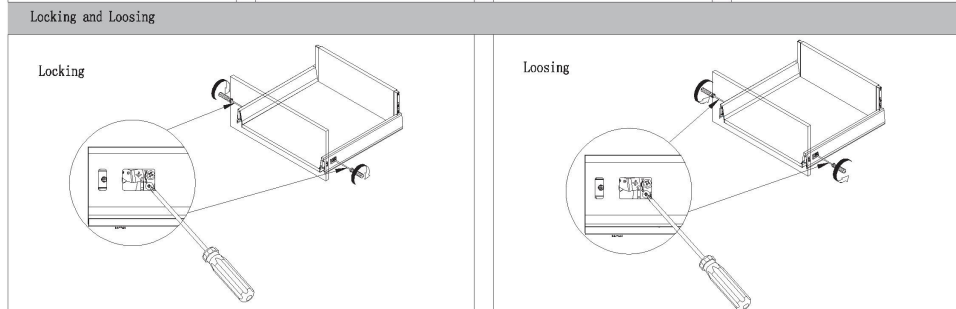
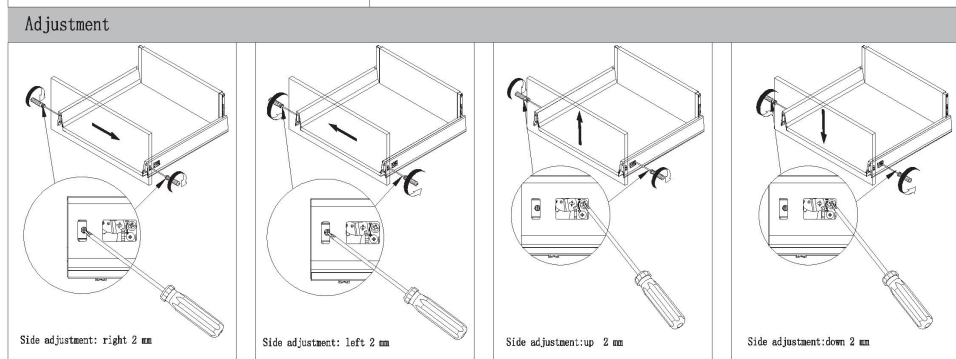
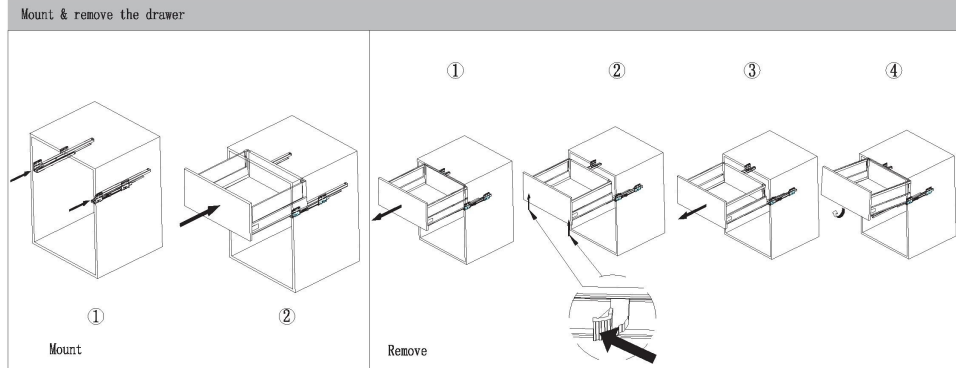
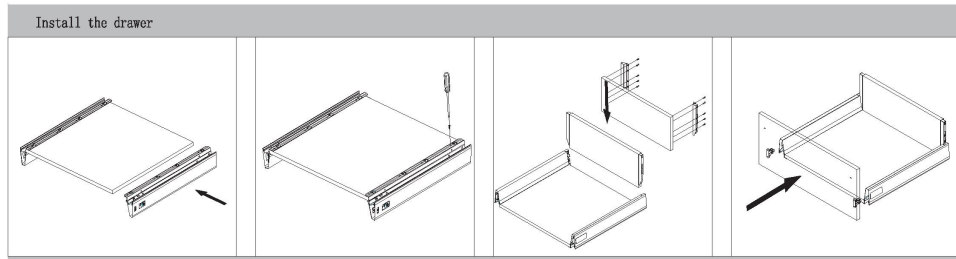
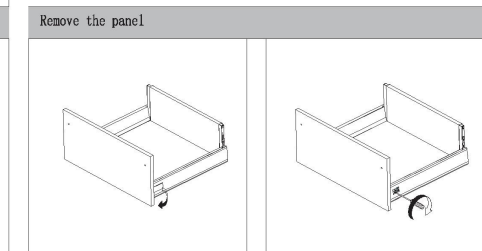
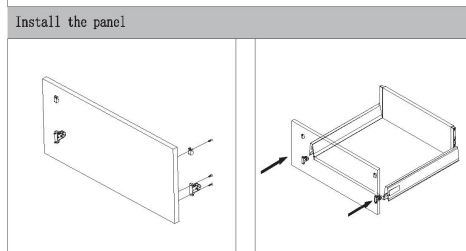
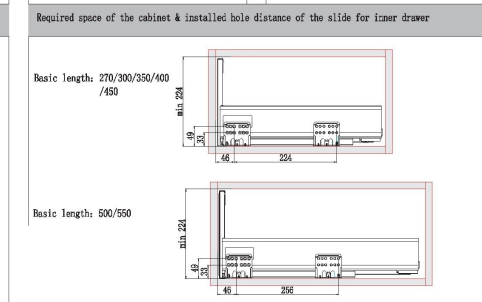
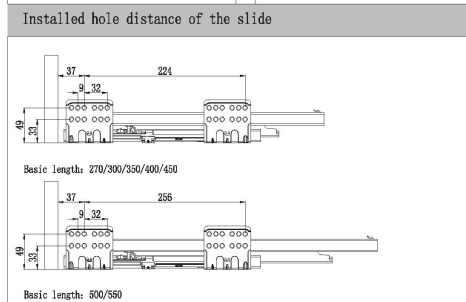
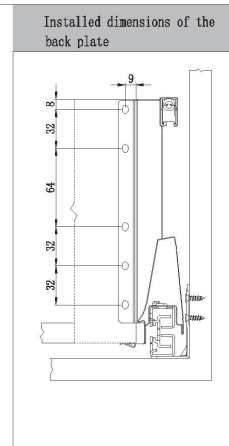
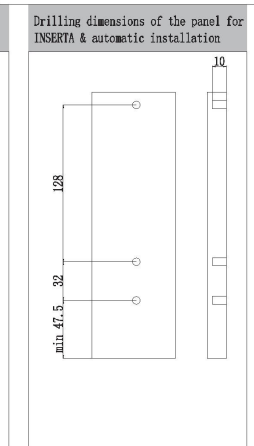
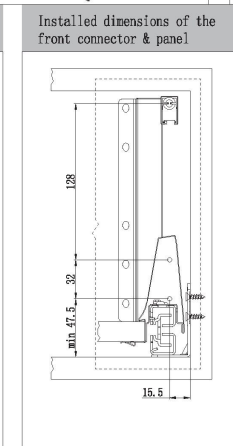
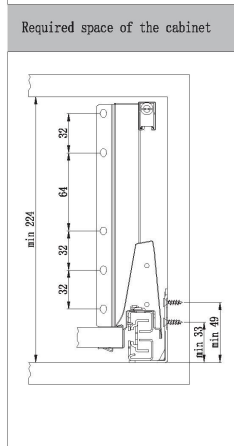
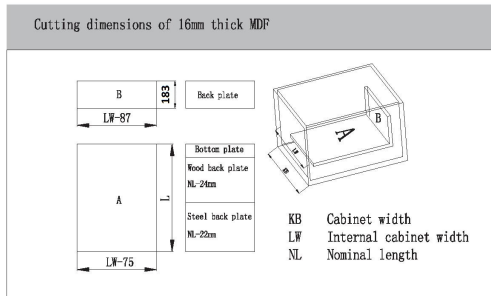
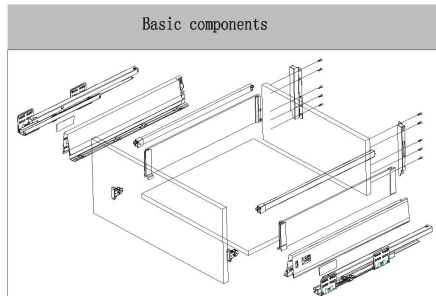
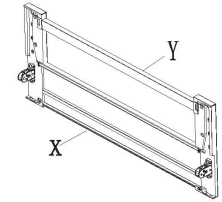
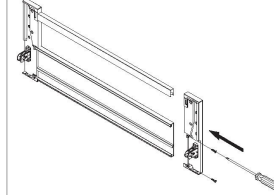
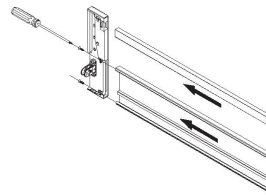


Installation instructions of drawer system

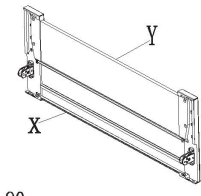
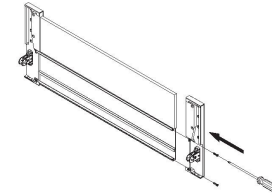
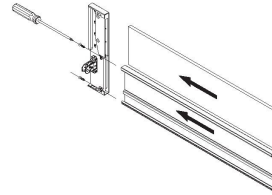


Install the high-side inner drawer with horizontal bar



X=LW-90mm
Y=LW-84mm

Install the high-side inner drawer with panel



X=LW-90mm
Y=LW-84mm

Install the square bars & heightened side plates

